



6594SD – 515D14

Ø14 mm Direct Green Laser Module

- High visible laser, 4X brighter than red laser.
- Suitable for outdoor use.
- Excellent power stability for long time operator.
- Widely working temperature range.
- Application to construction leveling tool etc...

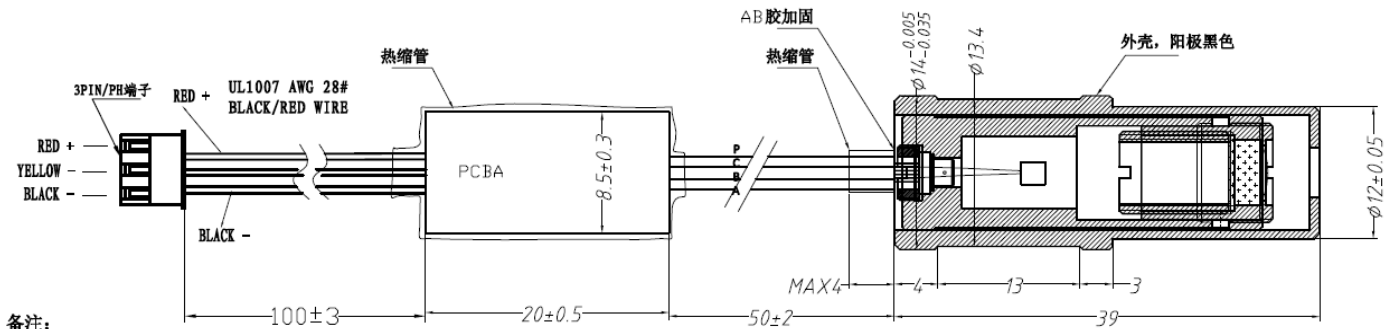
Specification

Optical Specification

P/N	6594SD-515D14	
PO	CW Optical Power	< 5 mW
λP	Wavelength at Peak Emission	510~530 nm
Vop	Operating Voltage	4.0~7.4V
Lop	Operating Current	< 250 mA
TOP	Operating Temp. Range	-10° C ~ +50°C
TSTG	Storage Temp. Range	-20° C ~ +70°C
Beam Spot Size at 40m /25° room temp.		Dia 4.5
MTTF		5000hrs

Laser Safety:

Class 3R - less than 5 mW





**SEAN & STEPHEN
CORPORATION**

Taipei Office:

4F, NO.3, Lane 335, Sec.4, HSIN-YI Road, Taipei, 106 Taiwan, R.O.C.
TEL:886-2-27011256 FAX:886-2-27021655

Tainan Factory:

No.245, Ta Chiao 2nd Street, Yung-Kang City, Tainan Hsien, 710 Taiwan R.O.C.
TEL:886-6-3037696 FAX:886-6-3037693

China Factory:

Zhongshan Xinxi Optoelectronic Science Tech.Co., LTD
3rd Industry Zone, Tan Zhou Town, Zhong Shan City, Guang Dong Province, China
TEL:86-760-6659181 FAX:86-760-6659191

6594SD – 515D14

6594SD- 515D14 Typical Electrical/Optical / Characteristics Curves

